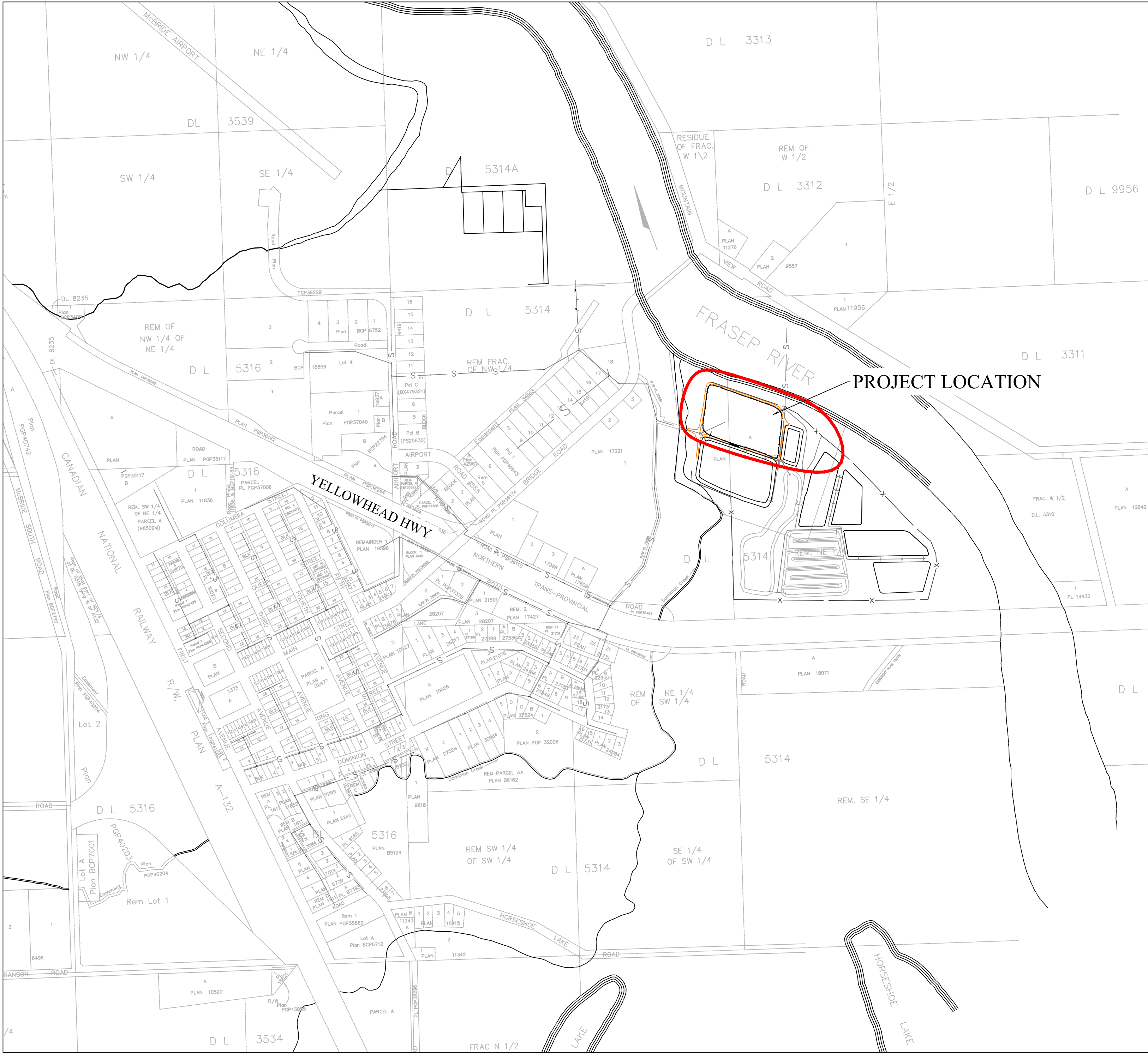


VILLAGE OF MCBRIDE

LAGOON CELL #1 RELINING



DRAWING INDEX

SHEET	DESCRIPTION
C01	OVERALL SITE PLAN
C02	LAGOON CROSS-SECTION PLAN
C03	LAGOON CROSS-SECTION PROFILES
C04	LAGOON DETAILS

LEGEND

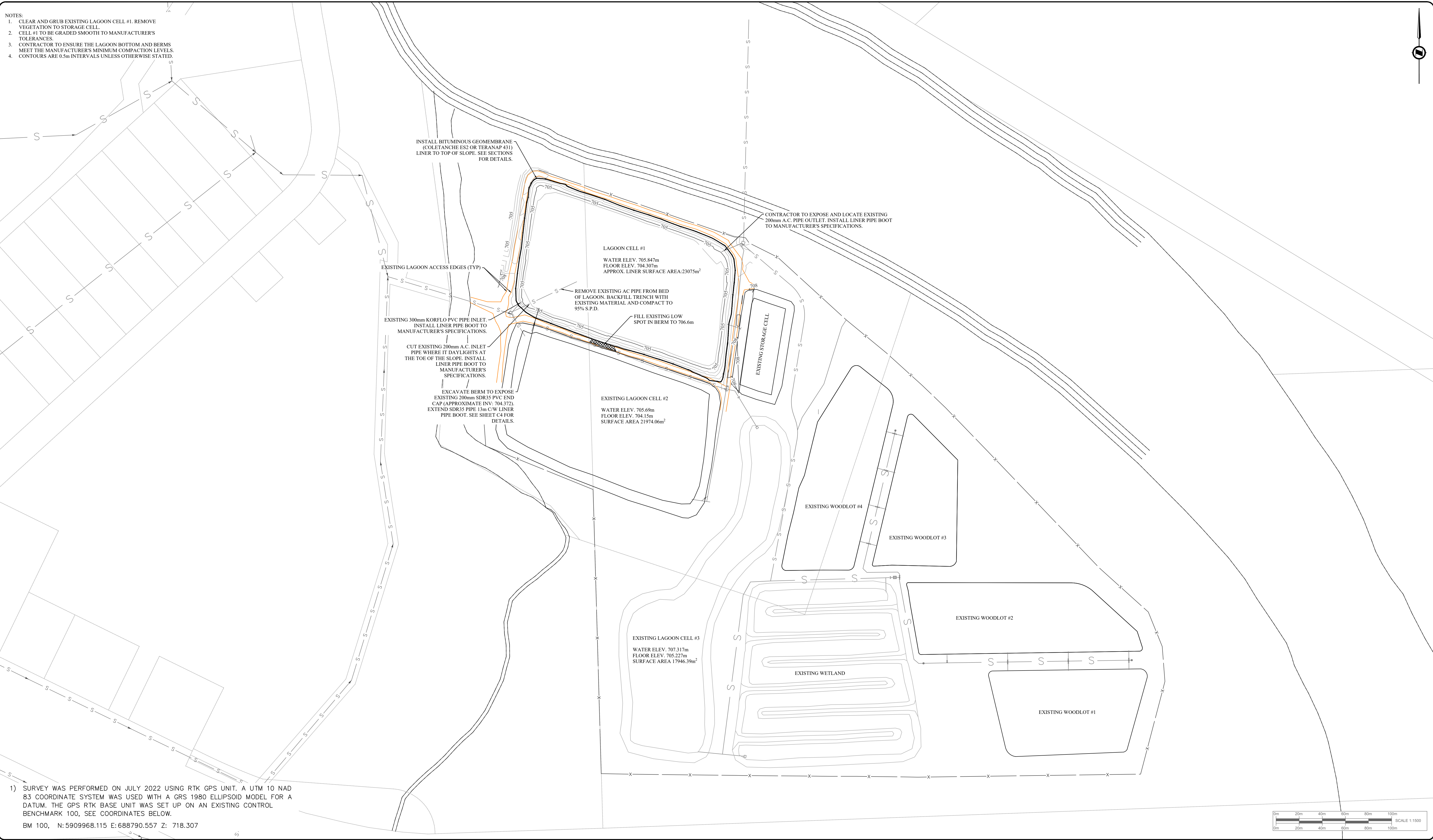
WATERLINE	
SANITARY SEWER	
SAN FORCEMAIN	
STORM SEWER	
DITCHING	
CULVERT	
LEGAL BOUNDARY	
FENCE LINE	
ROAD SHOULDER	
POWERLINE	
TELEPHONE LINE	
GASLINE	
NATURAL WATER	
UTILITY POLE	
VALVE	
CURB STOB	
BLOW-OFF HYDRANT	
FIRE HYDRANT	
WATER WELL	
MANHOLE SANITARY/STORM	
CLEAN OUT	
OLD IRON PIN	
SURVEY HUB	
SURVEY BENCHMARK	
TEST PIT	



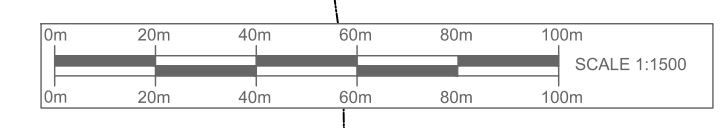
R. Radloff & Associates Inc.
 Engineering, Planning & Consulting
 1820 3rd Ave
 Prince George, B.C. V2M 1G4
 Ph: (250) 562-6861, Fax: (250) 562-6826

PROJECT #: 403-013-10
 DATE: SEPT 2022

- NOTES:
1. CLEAR AND GRUB EXISTING LAGOON CELL #1. REMOVE VEGETATION TO STORAGE CELL.
 2. CELL #1 TO BE GRADED SMOOTH TO MANUFACTURER'S TOLERANCES.
 3. CONTRACTOR TO ENSURE THE LAGOON BOTTOM AND BERMS MEET THE MANUFACTURER'S MINIMUM COMPACTION LEVELS.
 4. CONTOURS ARE 0.5m INTERVALS UNLESS OTHERWISE STATED.



1) SURVEY WAS PERFORMED ON JULY 2022 USING RTK GPS UNIT. A UTM 10 NAD 83 COORDINATE SYSTEM WAS USED WITH A GRS 1980 ELLIPSOID MODEL FOR A DATUM. THE GPS RTK BASE UNIT WAS SET UP ON AN EXISTING CONTROL BENCHMARK 100, SEE COORDINATES BELOW.
BM 100, N: 5909968.115 E: 688790.557 Z: 718.307



Radloff R. Radloff & Associates Inc.
Engineering, Planning & Consulting
1820 3rd Avenue
Prince George, B.C. V2M 1G4
Ph: (250) 562-6861, Fax: (250) 562-6826

STAMP

NO.	(YY/MM/DD)	BY	REVISIONS	ENG.

DESIGN BY	DATE
KRC	22-07-06
DRAWN BY	DATE
KRC	22-07-06
CHECKED BY	DATE
RPR	22-07-14
APPROVED BY	DATE
RPR	22-07-14

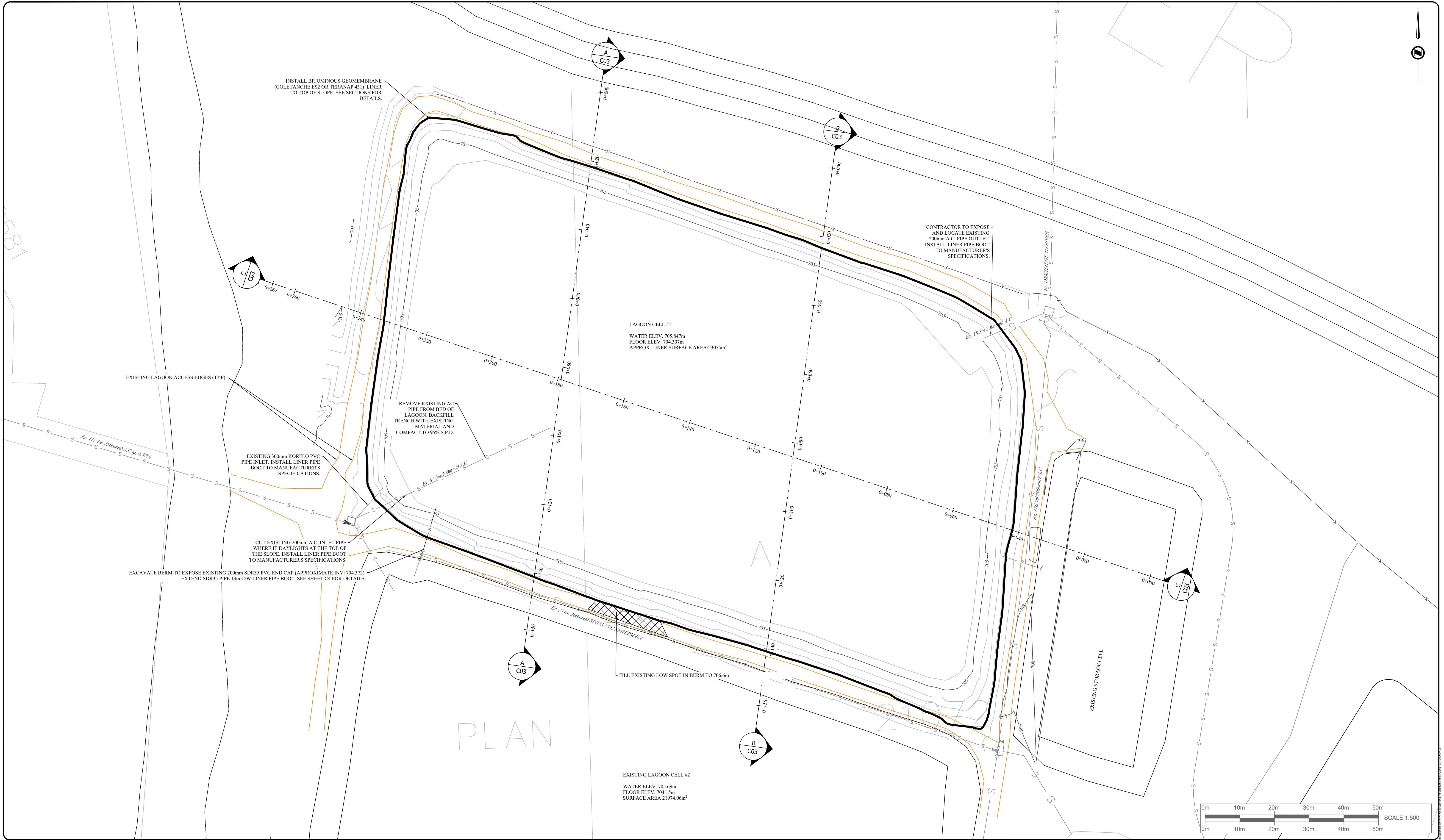
NO.	(YY/MM/DD)	BY	DRAWING ISSUE	ENG.
2	22-08-22	KRC	ISSUE FOR REVIEW	RPR
1	22-07-06	KRC	ISSUE FOR REVIEW	RPR

CLIENT
VILLAGE OF MCBRIDE

SCALE
HORIZ. 1:1500 SCALE VERT.
SHEET C01 OF C04
ENG PROJECT NUMBER 403-013-10

PROJECT
LAGOON CELL #1 RELINING

SHEET TITLE
OVERALL SITE PLAN



PLAN

Radloff R. Radloff & Associates Inc.
 Engineering, Planning & Consulting
 1820 3rd Avenue
 Prince George, B.C. V2M 1G4
 Ph: (250) 562-6861, Fax: (250) 562-6826

STAMP

NO.	(YY/MM/DD)	BY	REVISIONS	ENG.

DESIGN BY	DATE
KRC	22-07-06
DRAWN BY	DATE
KRC	22-07-06
CHECKED BY	DATE
RPR	22-07-14
APPROVED BY	DATE
RPR	22-07-14

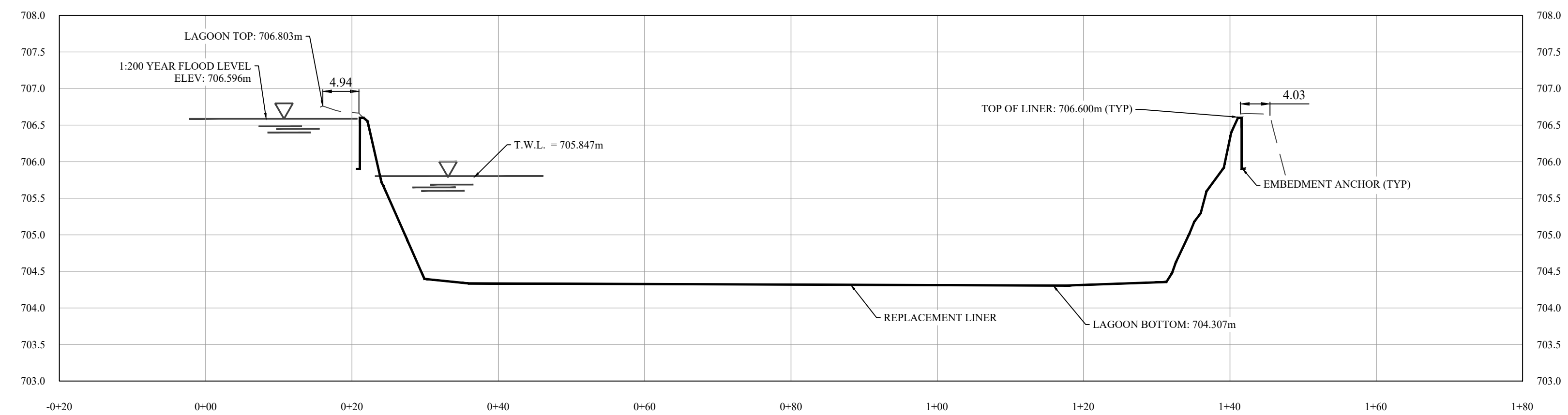
NO.	(YY/MM/DD)	BY	DRAWING ISSUE	ENG.
2	22-08-22	KRC	ISSUE FOR REVIEW	RPR
1	22-07-06	KRC	ISSUE FOR REVIEW	RPR

CLIENT
VILLAGE OF MCBRIDE

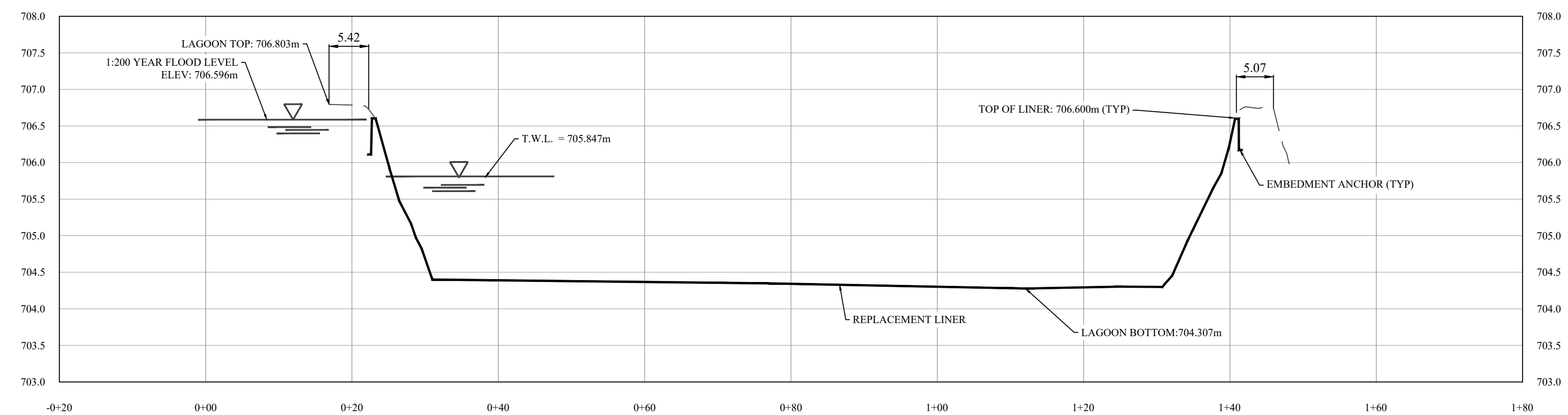
SCALE
 HORIZ. 1:500 SCALE VERT. 1:500
 SHEET C02 OF C04
 ENG PROJECT NUMBER 403-013-10

PROJECT
LAGOON CELL #1 RELINING
 SHEET TITLE
LAGOON CROSS-SECTION PLAN

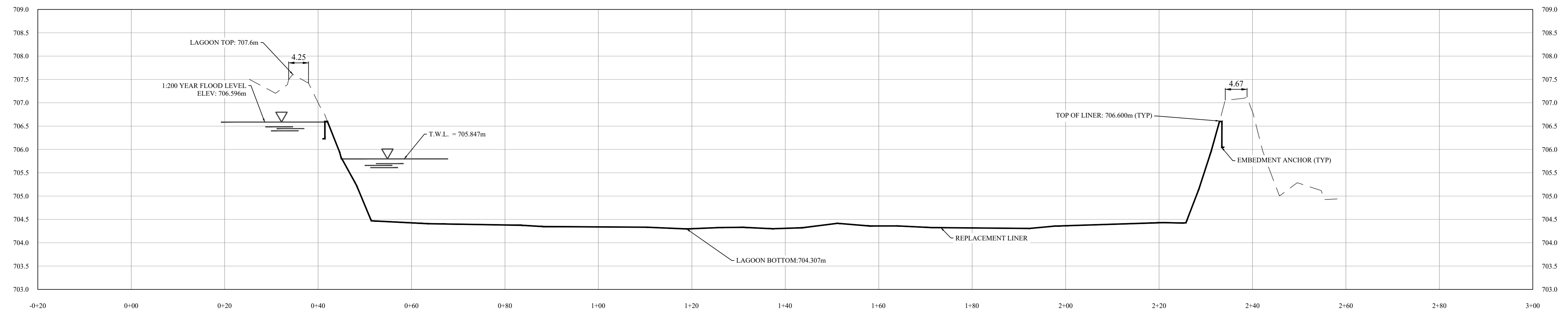
SECTION A-A



SECTION B-B



SECTION C-C



STAMP

NO.	(YY/MM/DD)	BY	REVISIONS	ENG.

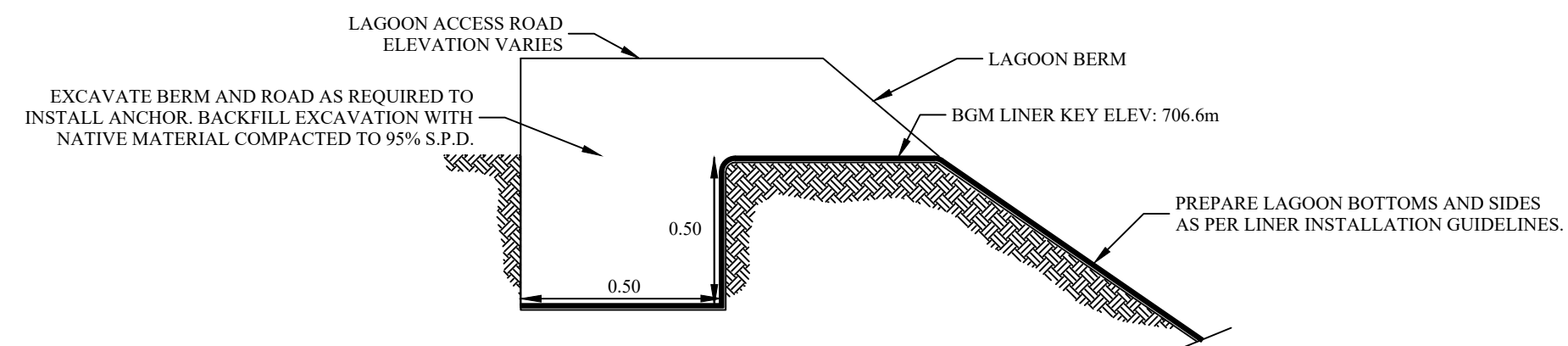
DESIGN BY	DATE
KRC	22-07-06
DRAWN BY	DATE
KRC	22-07-06
CHECKED BY	DATE
RPR	22-07-14
APPROVED BY	DATE
RPR	22-07-14

NO.	(YY/MM/DD)	BY	DRAWING ISSUE	ENG.
2	22-08-22	KRC	ISSUE FOR REVIEW	RPR
1	22-07-06	KRC	ISSUE FOR REVIEW	RPR

CLIENT
VILLAGE OF MCBRIDE

SCALE HORIZ. 1:500 SCALE VERT. 1:500
SHEET C03 OF C04
ENG PROJECT NUMBER 403-013-10

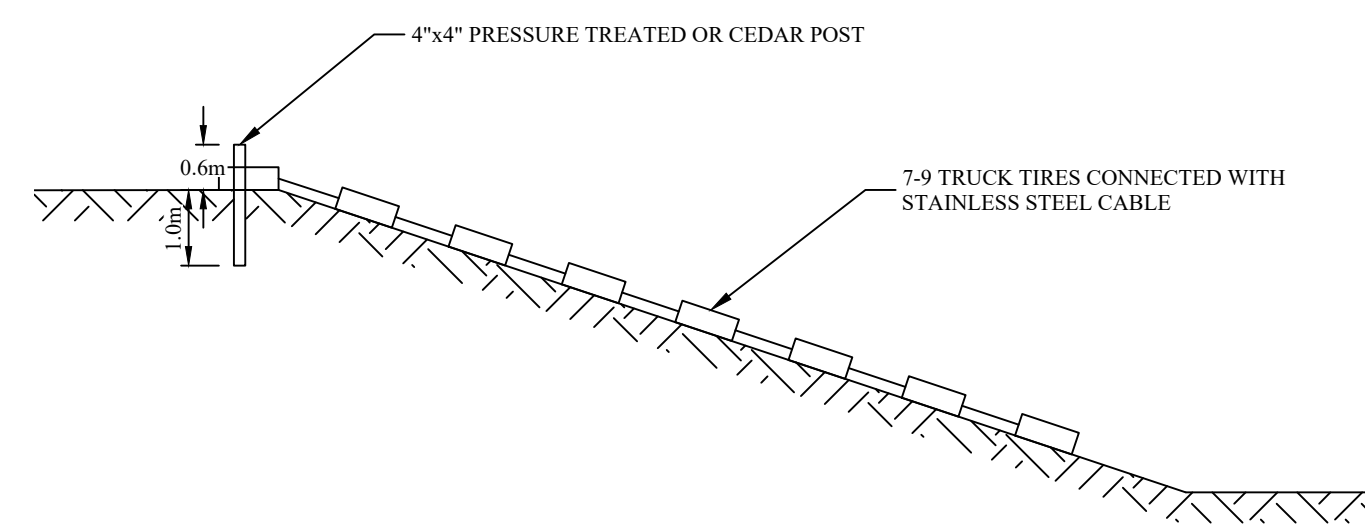
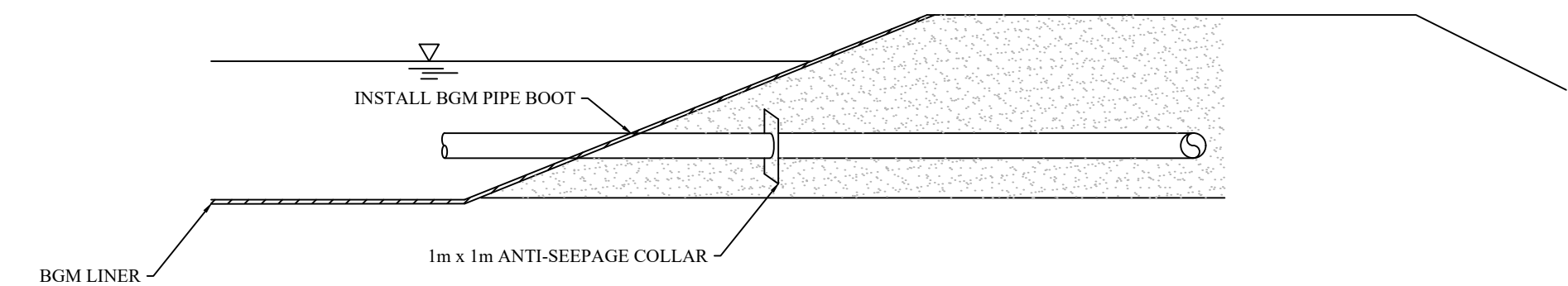
PROJECT **LAGOON CELL #1 RELINING**
SHEET TITLE **LAGOON CROSS-SECTION PROFILES**



BGM LINER BERM EMBEDMENT ANCHOR

N.T.S.

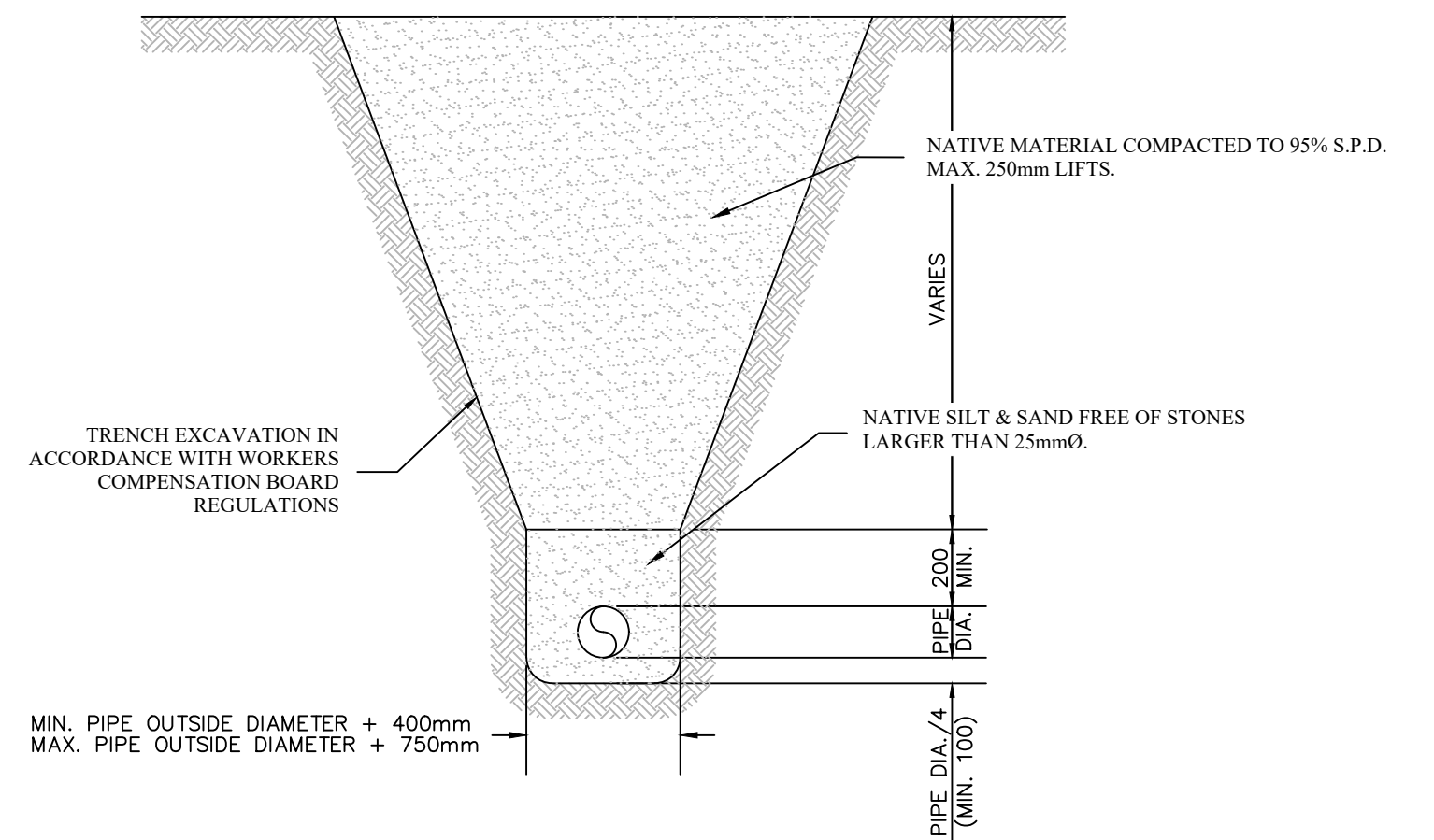
- NOTES:
1. VEGETATION TO BE REMOVED TO THE SATISFACTION OF THE LAGOON LINER SUBCONTRACTOR AND THE ENGINEER.
 2. AFTER VEGETATION REMOVAL, SURFACE TO BE SMOOTHED AND FREE OF ALL ROCKS, STONES, STICKS, ROOTS, SHARP OBJECTS, OR DEBRIS OF ANY KIND.
 3. SURFACE SHALL BE FREE OF SUDDEN, SHARP, OR ABRUPT CHANGES OR BREAKS IN GRADE.
 4. ENSURE ALL OTHER BGM LINER REQUIREMENTS FOR THE PREPARATION OF THE CELL BOTTOM AND SIDES ARE ADHERED TO.



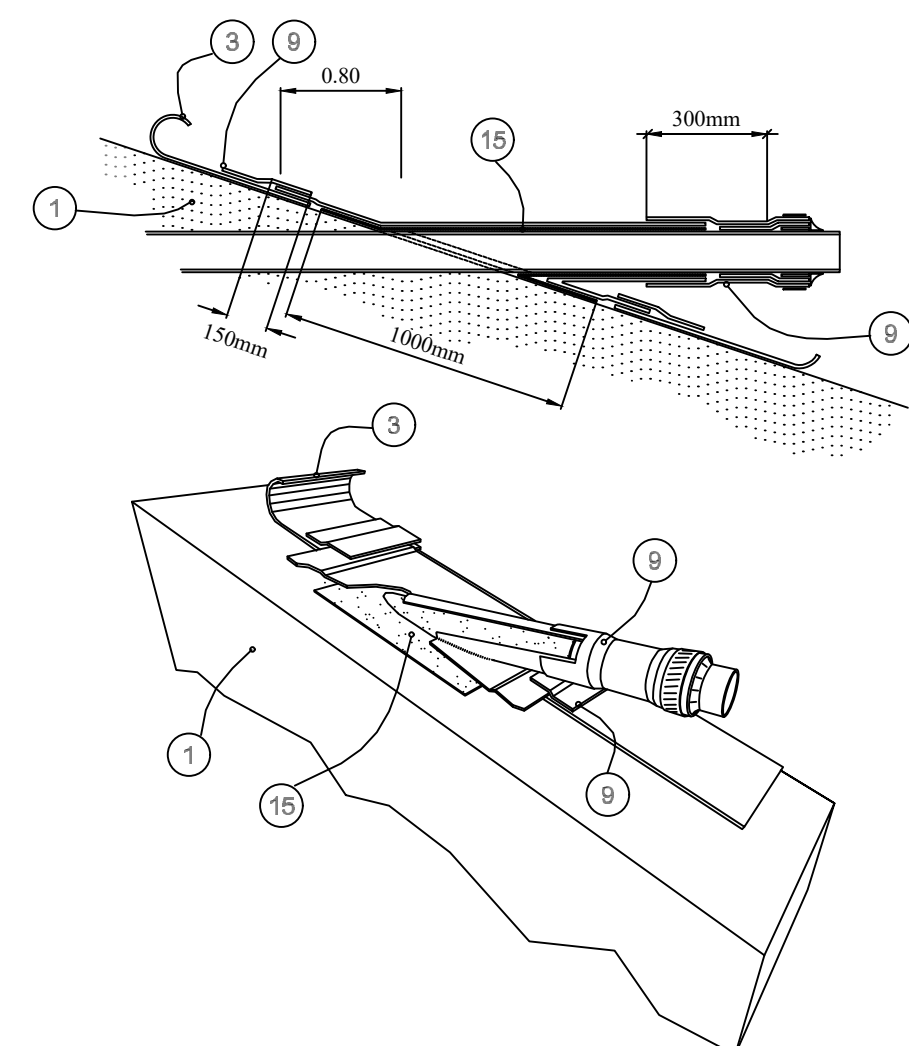
SAFETY TIRE LADDER FOR LAGOON CELLS

N.T.S.

- NOTES:
1. PROVIDE 4 TIRE LADDERS PER CELL
 2. LOCATE AS DIRECTED BY THE ENGINEER
 3. APPLY "END CUT" WOOD PRESERVATIVE COMPOUND TO ALL EXPOSED CUTS



PIPE TRENCH
N.T.S.



- 1) SOIL
3) COLETANCHE
9) COLETANCHE
15) METAL SLEEVE COVERED W/ PRIMER (VERNIS ANTAC GC)

PIPE BOOTING INSTALLATION FOR COLETANCHE BGM LINER

N.T.S.

Radloff R. Radloff & Associates Inc.
Engineering, Planning & Consulting
1820 3rd Avenue
Prince George, B.C. V2M 1G4
Ph: (250) 562-6861, Fax: (250) 562-6826

STAMP

NO.	(YY/MM/DD)	BY	REVISIONS	ENG.

DESIGN BY	DATE
KRC	22-07-06
DRAWN BY	DATE
KRC	22-07-06
CHECKED BY	DATE
RPR	22-07-14
APPROVED BY	DATE
RPR	22-07-14

NO.	(YY/MM/DD)	BY	DRAWING ISSUE	ENG.
2	22-08-22	KRC	ISSUE FOR REVIEW	RPR
1	22-07-06	KRC	ISSUE FOR REVIEW	RPR

CLIENT
VILLAGE OF MCBRIDE

SCALE
HORIZ. **N/A** SCALE
VERT. **N/A**
SHEET **C04** OF **C04**
ENG PROJECT
NUMBER **403-013-10**

PROJECT
LAGOON CELL #1 RELINING
SHEET TITLE
LAGOON DETAILS